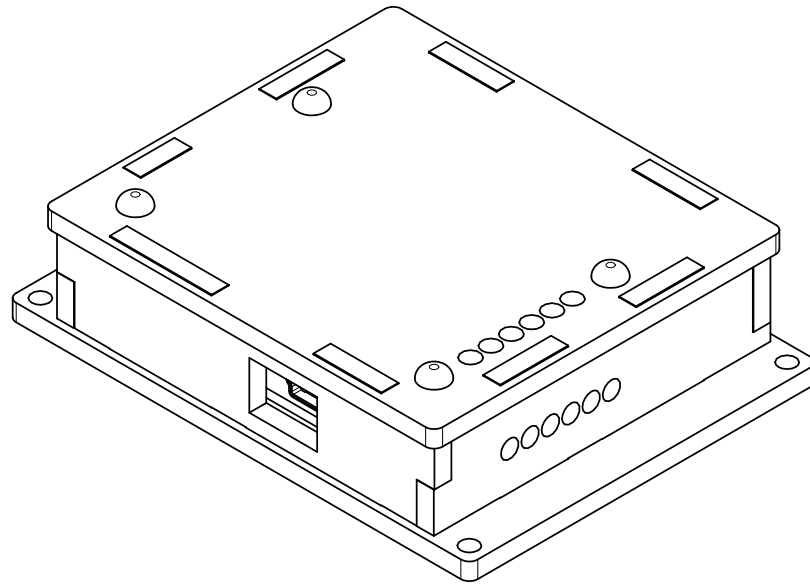
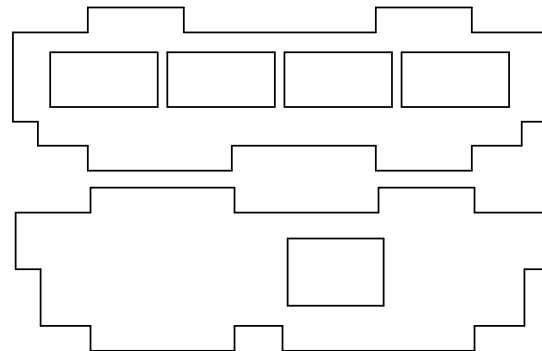
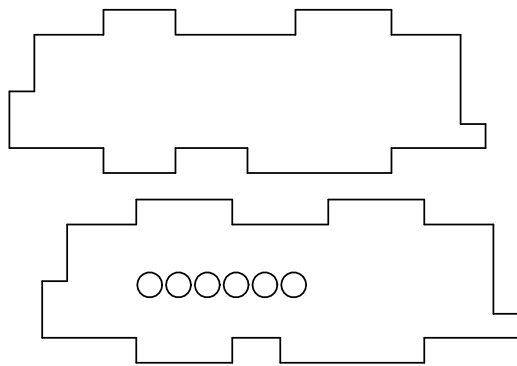
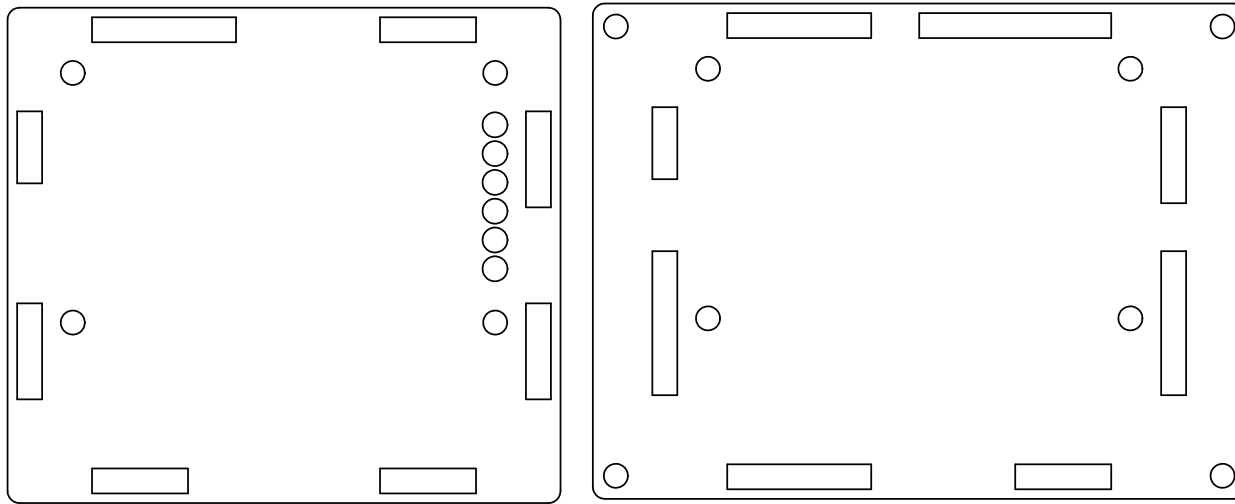


Phidget Enclosure Assembly Instructions

PN 3809 : Acrylic Enclosure for the 1047 PhidgetEncoder HighSpeed 4-Input



Contents of Enclosure Kit



x4



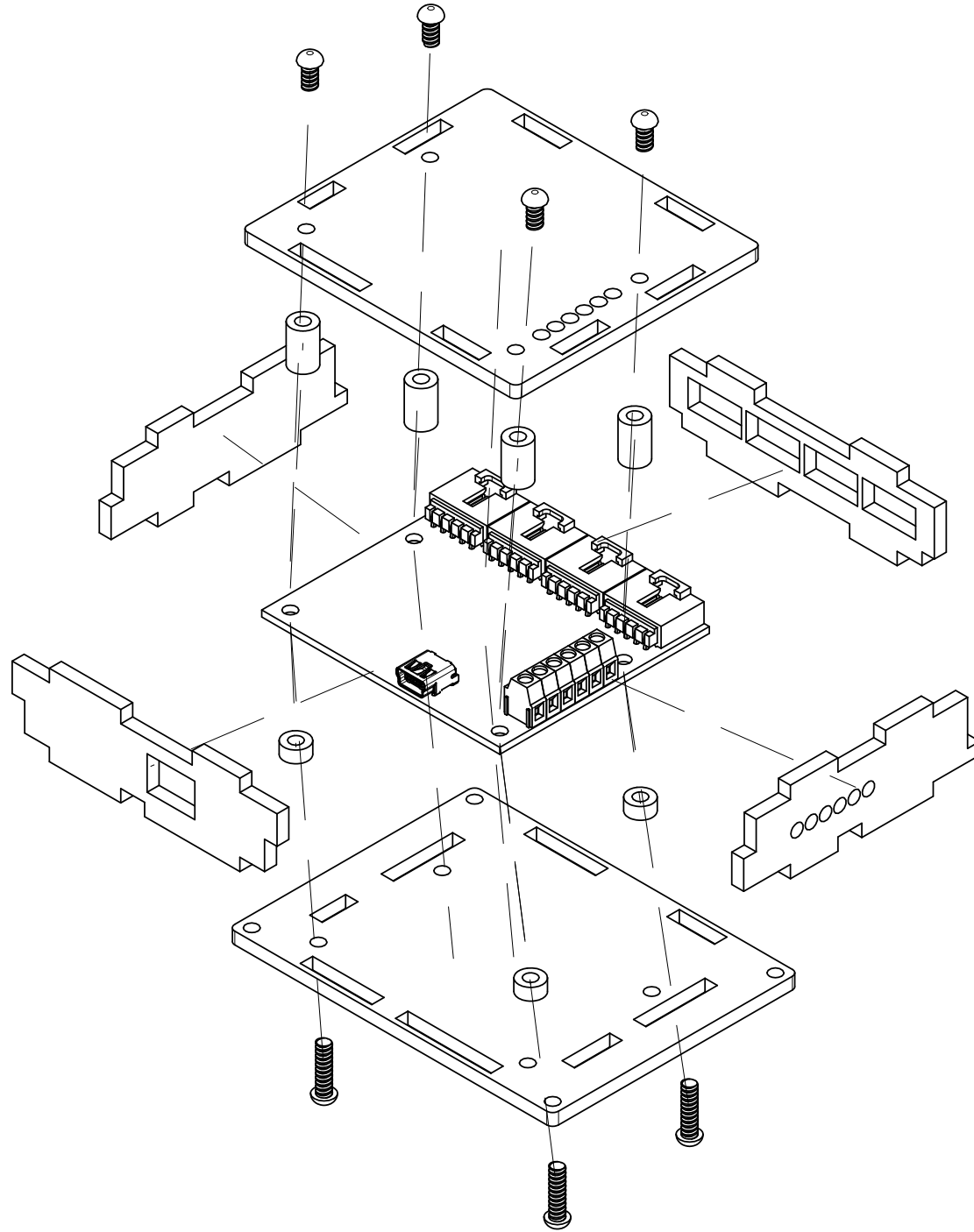
x4



x4



x4



Assembly Instructions

